

HARMAN®

BUILT TO A STANDARD, NOT A PRICE



P-SERIES

PELLET STOVES & INSERTS



BUILT TO A STANDARD NOT A PRICE



P-SERIES STOVES & INSERTS

The Harman® P-Series of pellet stoves and inserts deliver powerful, high-efficiency heating. Six models provide an ideal heating option for any space.

These advanced appliances use Harman PelletPro™ and ESP technology to burn any grade of pellet with even heat and precision control. Basic maintenance can also be performed without shutting down the units—for true 24-hour heating. Traditional cast iron doors, clean lines and unique finishing options compliment multiple décor styles.

Upgrade any space. Even heat, distinctive features and easy maintenance make every P-Series model a practical heating solution “Built to a standard, not a price.”





PC45 shown with brushed stainless leaf trim and Trail Riders slate tile design



P68 shown with brushed stainless leaf trim and Floral slate tile design

FEATURES & OPTIONS

Every P-Series stove is outfitted with distinctive features and options. The main design and performance attributes of this series is outlined below.

Features

- Automatic ignition and temperature control
- Quiet, variable speed blower
- Exclusive door air wash system
- Large ash pan
- Accordion heat exchanger
- PelletPro™ System
- ESP Temperature Control

Options

- Outside air kits
- Direct Vent wall pass-through
- Biofuel bulk hopper
- Leaf design trim kit: gold, brushed stainless and bright nickel
- Modern design trim kit: brushed stainless

*Excludes P38+ manual ignition

PelletPro™ System

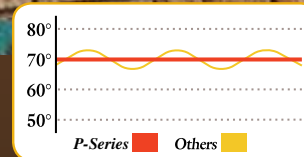
The patented PelletPro system makes it possible to burn any grade of pellet fuel with maximum heat and efficiency. A bottom-up feeding system burns each pellet completely and allows for 24-hour heating.

Scan with your smartphone to learn more about the PelletPro System, or visit HarmanStoves.com.



ESP Temperature Control

Harman pellet stoves utilize an advanced Exhaust Sensing Probe (ESP) system to deliver precision heating control. ESP constantly monitors and adjusts heat output to maintain set room temperatures within 1 degree.

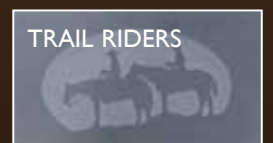


ESP temperature control helps maintain a consistent room temperature.

Scan with your smartphone to learn more about ESP Temperature Control, or visit HarmanStoves.com.



Optional Slate Front Designs





P38 PLUS PELLET STOVE

The P38 Plus is a compact and powerful heating option. Its design accommodates tighter spaces and provides more installation possibilities. And don't worry—what the P38 lacks in size, it makes up in heating power.

Enjoy high-efficiency heating, easy maintenance and distinctive features—in more spaces—with the P38 Plus.



P43 PELLET STOVE

The P43 is a convenient option to reduce home heating bills. Intricate styling and uncompromising craftsmanship offer a distinctive design statement in any room—while advanced technology is at work behind the scenes.

PelletPro™ and ESP technology burn any grade of pellet for up to 43,000 BTUs of even heat. Just set the desired temperature, fill the 50 lb. hopper, and relax. The P43 will automatically ignite and maintain consistent room temperatures within 1 degree.



PC45 MULTI-FUEL STOVE

Burn any grade of pellet—or corn, wheat, barley or oats—with high-efficiency. The PC45 is built to deliver precision heating burning a variety of eco-friendly fuels. Simply switch out the included burn pots when changing your fuel option. PelletPro™ and ESP technology handle the rest.

Expect even heat, easy maintenance and distinctive features. Make it your own with unique slate tile accents and trim options.

*Both burn pots included with unit





P61A PELLETT STOVE

This efficient pellet stove produces a powerful 61,000 BTUs of even heat. That's enough output to effectively heat your entire home. A solid steel frame and traditional cast iron provide a stoic look in any home.

The P61A uses PelletPro and ESP technology to burn any grade of pellet with precision across a broad heat output range. Just set the desired temperature, fill the 72 lb. hopper, and enjoy extended performance with minimal maintenance.



P68 PELLETT STOVE

The award-winning P68 is a home heating powerhouse. It produces up to 68,000 BTUs—enough heat to fill the largest of spaces. Mirrored glass provides distinctive style and fades when the fire is lit to expose intense flames.

Expect uncompromising performance all year round. PelletPro™ and ESP technology deliver high-efficiency heat burning any grade of pellet. A large ash pan and 76 lb. hopper make maintenance easier, and less-frequent. Make it your own with optional slate tile, air grille or trim accents.



P35i PELLETT INSERT

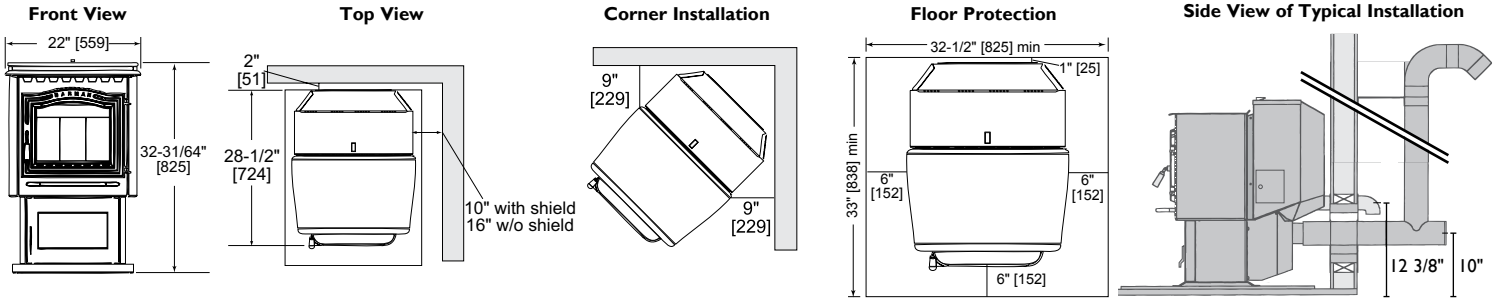
The P35i is a compact and extremely clean-burning pellet insert. What the P35i lacks in size, it makes up in heating power—producing 35,000 BTUs. This Direct Vent insert can be installed without a chimney, and nearly anywhere in a home.

A unique track-system allows the unit to conveniently slide out for easy access to venting and components. PelletPro™ and ESP technology, a 62 lb. hopper and distinctive features make the P35i a practical heating option.

*See EPA emissions report for more details

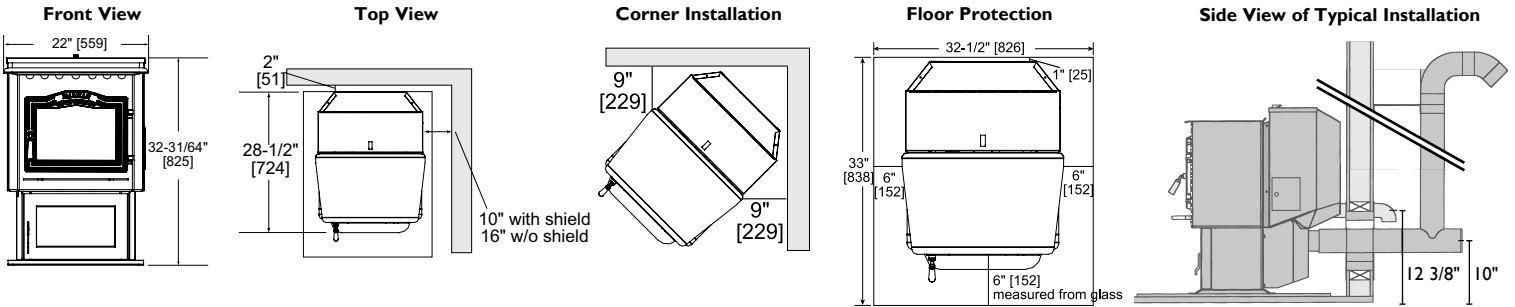
SPECIFICATIONS

	BTU/hr Input	Heating Capacity ¹	Hopper Capacity	Fuel Type	Blower Size	Flue Size	Outside Air Size	Fuse Rating	Weight	Depth	Minimum Floor Protection
P38+ PELLET STOVE	7,000 - 43,000	800 - 2,200 sq. ft.	50 lbs. (110 lbs. with hopper extension)	Bio-Mass Pellets	135 CFM	3"	2-3/8"	6 amp	212 lbs.	28-1/2"	25"w x 33"d



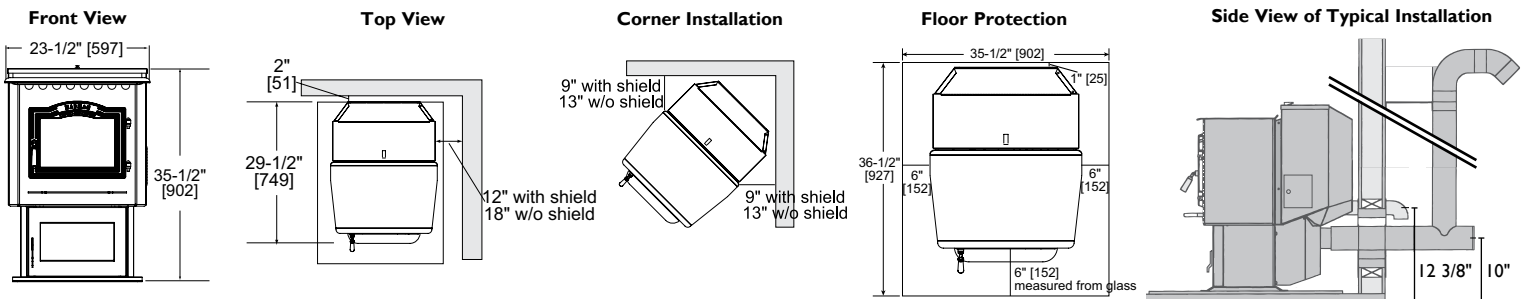
P38+: tested by Intertek: UL 1482, ASTM E1509, Oregon 814-23-900, ULC S627-M90, Mobile Home Approved

	BTU/hr Input	Heating Capacity ¹	Hopper Capacity	Fuel Type	Blower Size	Flue Size	Outside Air Size	Fuse Rating	Weight	Depth	Minimum Floor Protection
P43 PELLET STOVE	0 - 43,000	800 - 2,400 sq. ft.	50 lbs. (110 lbs. with hopper extension)	Bio-Mass Pellets	135 CFM	3"	2-3/8"	6 amp	212 lbs.	28-1/2"	25"w x 33"d



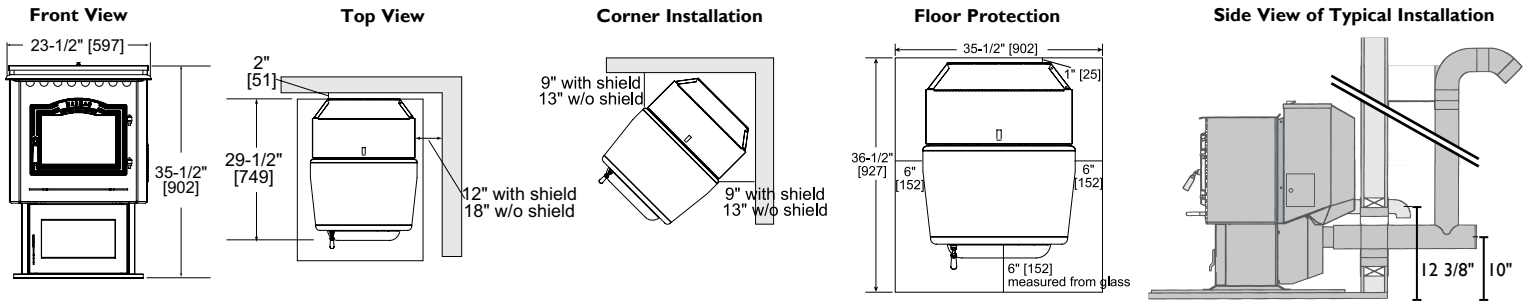
P43: tested by Intertek: UL 1482, ASTM E1509, Oregon 814-23-900, ULC S627-M90, Mobile Home Approved

	BTU/hr Input	Heating Capacity ¹	Hopper Capacity	Fuel Type	Blower Size	Flue Size	Outside Air Size	Fuse Rating	Weight	Depth	Minimum Floor Protection
PC45 MULTI-FUEL STOVE	0 - 45,000	900 - 2,400 sq. ft.	Corn: 80 lbs, 145lbs ² Pellets: 72 lbs, 132lbs ²	Corn, Wood Pellets, Wheat ³ , Barley ³ , Oats ³	135 CFM	3"	2-3/8"	6 amp	249 lbs.	29-1/2"	25"w x 33"d



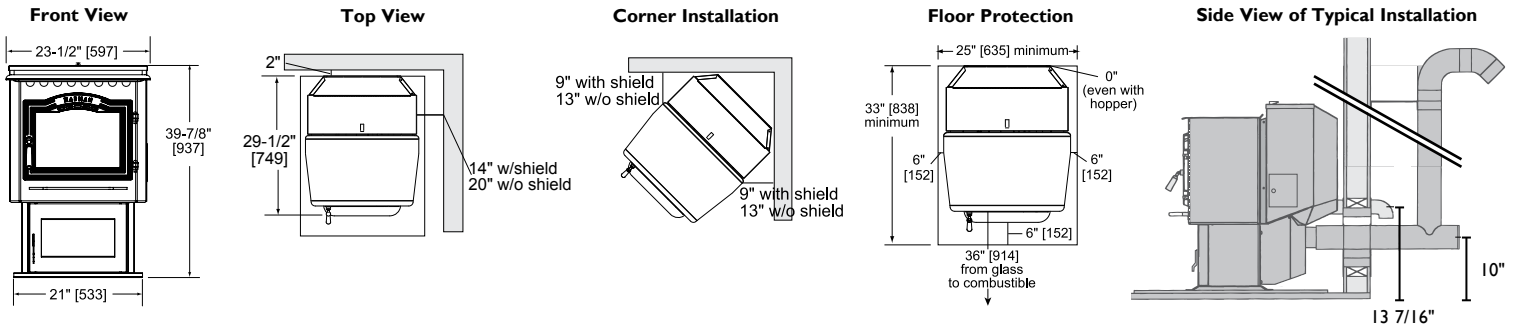
PC45: tested by Intertek: ASTM E1509, Mobile Home Approved

P61A PELLET STOVE	BTU/hr Input	Heating Capacity ¹	Hopper Capacity	Fuel Type	Blower Size	Flue Size	Outside Air Size	Fuse Rating	Weight	Depth	Minimum Floor Protection
	0 - 61,000	1,300 - 3,500 sq. ft.	72 lbs. (132 lbs. with hopper extension)	Bio-Mass Pellets	135 CFM	3"	2-3/8"	6 amp	249 lbs.	29-1/2"	25"w x 33"d



P61A: tested by Intertek: UL 1482 ASTM E1509-2004, OREGON 814-23-900, ULC-S627, Mobile home approved

P68 PELLET STOVE	BTU/hr Input	Heating Capacity ¹	Hopper Capacity	Fuel Type	Blower Size	Flue Size	Outside Air Size	Fuse Rating	Weight	Depth	Minimum Floor Protection
	0 - 68,000	1,500 - 3,900 sq. ft.	76 lbs. (136 lbs. with hopper extension)	Bio-Mass Pellets	135 CFM	3"	2-3/8"	6 amp	290 lbs.	29-1/2"	25"w x 33"d



P68: tested by OMNI: ASTM E1509, ULC C1482-M1990, ULC S627, Mobile Home Approved

P351 PELLET INSERT	BTU Range	Heating Capacity ¹	Hopper Capacity	Fuel Type	Blower Size	Outside Air Size	Fuse Rating	Feed Rate	Weight	Firebox Opening
	0 - 35,000	800 - 2,100 sq. ft.	23.5" - 62 lbs. 19.5" - 41.5 lbs	Wood Pellets, 50/50 Corn Mixture	160 cfm	3"	6 amp 440 watts/ignition, 180 watts/operation	1.4 - 4.1 lbs/hr	262 lbs.	19.5" h x 24" w



SURROUND SIZES	
Standard Surround	31" x 40" x 1.75"
Large Surround	34" x 46" x 1.75"

ZERO CLEARANCE HOUSING (OPTIONAL)	
24.7"H x 16.75"D	




CLEARANCE TO COMBUSTIBLES	Side wing to trim	Front hearth protection	Top of insert to mantel trim or ledge
	1"	6"	12"

YOUR HARMAN DEALER IS:

HARMAN[®]
BUILT TO A STANDARD. NOT A PRICE

A brand of
Hearth & Home Technologies Inc.

352 MOUNTAIN HOUSE ROAD
HALIFAX, PA 17032
WWW.HARMANSTOVES.COM

 facebook.com/HarmanStoves
 twitter.com/HarmanStoves
 youtube.com/HarmanStoves

LIMITED LIFETIME WARRANTY¹

The strongest in the industry, Harman provides a limited lifetime warranty on most important aspects: firebox and heat exchanger.

¹See your local authorized Harman dealer for help in determining the product that best suits your heating needs based on climate and home efficiency.

²With optional Hopper Extension.

³Able to burn grains by simply adjusting the feed rate.

⁴For full warranty details, visit www.harmanstoves.com

Actual product appearance, including flame, may differ from image. Product specifications and pricing subject to change without notice. The images and descriptions in this brochure are provided to assist you in product selection only. Fuel density and pellet shape may affect hopper capacity. Btu's may vary depending on type of fuel used. Refer to installation manual for complete clearance requirements and specifications.

Fireplace, stove and insert surfaces get extremely HOT and can cause severe burns if touched. Keep a safe distance away. To learn more visit www.harmanstoves.com/fireplacesafety

HAR-1110U-0813